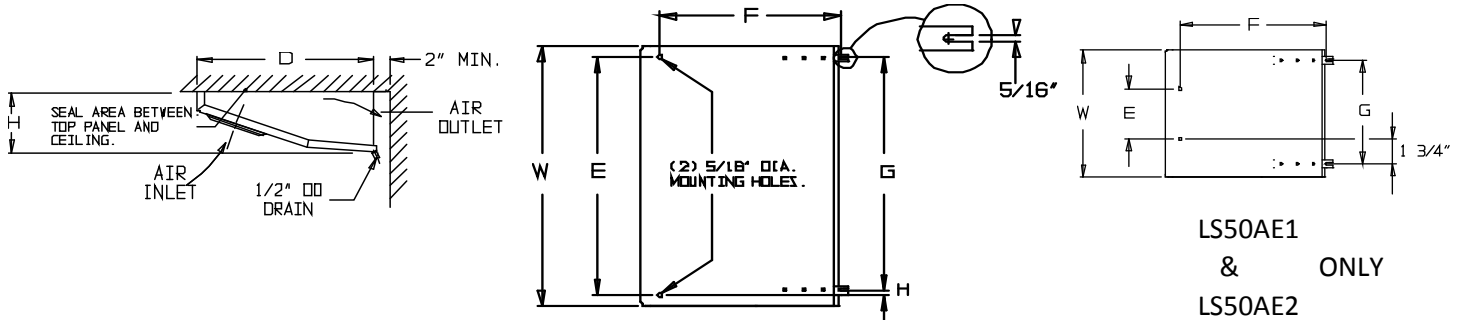




Peerless of America
Since 1912

EFFINGHAM, IL 62401
INSTALLATION INFORMATION, DIMENSIONS &
SPECIFICATIONS

**LO-SLOPE (LS-E)
UNIT COOLER
LOW TEMPERATURE
ELECTRIC DEFROST**



DIMENSIONS

Model No.		Dimensions (Inches)			Mounting Hole Locations (Inches)				Connections			Approx. Ship. Wt. Lbs.
115 V	230V	H	W	D	E	F	G	H	Inlet	Suction	Drain	
LS50AE1	LS50AE2	5	10	14	4	12 7/8	7 3/4	3/8	3/8" OD	1/2" OD	1/2" OD	10
LS95AE1	LS95AE2	5	16 1/2	14	13 1/4	12 7/8	14 1/4	3/8	3/8" OD	1/2" OD	1/2" OD	13
LS125AE1	LS125AE2	5	20 1/2	14	17 1/4	12 7/8	18 1/4	1/2	3/8" OD	1/2" OD	1/2" OD	17
LS210AE1	LS210AE2	6 5/8	24	16 1/2	22 1/8	16 3/4	22 1/8	0	1/2" OD	1/2" OD	1/2" OD	24
LS280AE1	LS280AE2	7	31 3/4	17 1/2	29 3/4	14 3/4	29 3/4	0	1/2" OD	1/2" OD	3/4" OD	36

SPECIFICATIONS

Models with a *A suffix after the model number employ ECM motors.

Model No.		BTU/HR		CFM	Fan Dia. (Quantity)	STD. Motor Amps		ECM Motor Amps		Heaters Amps		Heaters Watts	
115 V	230V	10° TD	15° TD			115 V	230 V	115 V	230 V	115 V	230 V	115 V	230 V
LS50AE1	LS50AE2	500	750	125	5 1/4"	0.65	0.35	N/A	N/A	1.80	0.95	215	215
LS95AE1	LS95AE2	950	1425	125	6"	0.65	0.35	0.30	0.15	4.00	2.00	460	460
LS125AE1	LS125AE2	1250	1875	200	5 1/4" (2)	1.30	0.70	N/A	N/A	4.31	2.16	495	495
LS210AE1	LS210AE2	2100	3150	300	8"	0.73	0.45	0.30	0.15	9.56	4.78	1100	1100
LS280AE1	LS280AE2	2800	4200	300	8"	0.73	0.45	0.30	0.15	15.70	7.83	1800	1800

GENERAL SAFETY INFORMATION

1. Only personnel qualified and familiar with this type of equipment should be responsible for the installation, service and maintenance of these units.
2. Disconnect all power sources prior to installing, servicing, or maintaining these units.
3. All field wiring must conform to equipment requirements and all applicable national, state and municipal codes.
4. Reduce potential for injury by avoiding direct contact with sharp edges and coil surfaces when handling these units.

We reserve the right to make changes in design and construction at any time without notice.

1/12/2017
PP# 05102