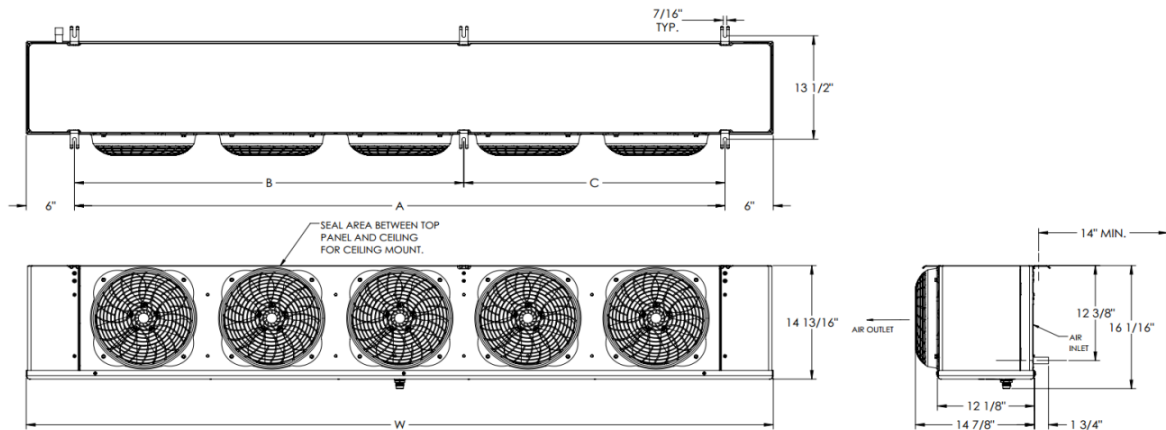




Peerless of America^{II}
Since 1912

EFFINGHAM, IL 62401
INSTALLATION INFORMATION, DIMENSIONS &
SPECIFICATIONS

**LOW PROFILE (PLPH-E)
UNIT COOLER
LOW TEMPERATURE
ELECTRIC DEFROST**



DIMENSIONS

Model No.	Dimension	Mounting Hole Locations (Inches)			Connections			Approx.
	W	A	B	C	Liquid	Suction	Drain	
PLPH-360E	29 1/4	17 1/4	-	-	1/2"	5/8"	3/4"	33
PLPH-410E	29 1/4	17 1/4	-	-	1/2"	5/8"	3/4"	35
PLPH-480E	29 1/4	17 1/4	-	-	1/2"	5/8"	3/4"	38
PLPH-660E	45 1/4	33 1/4	-	-	1/2"	5/8"	3/4"	52
PLPH-760E	45 1/4	33 1/4	-	-	1/2"	5/8"	3/4"	54
PLPH-910E	45 1/4	33 1/4	-	-	1/2"	7/8"	3/4"	57
PLPH-1210E	61 1/4	49 1/4	-	-	1/2"	7/8"	3/4"	69
PLPH-1410E	61 1/4	49 1/4	-	-	1/2"	7/8"	3/4"	71
PLPH-1610E	77 1/4	65 1/4	-	-	1/2"	1 1/8"	3/4"	90
PLPH-1810E	77 1/4	65 1/4	-	-	1/2"	1 1/8"	3/4"	93
PLPH-2010E	93 1/4	81 1/4	48 5/8	32 5/8	1/2"	1 1/8"	3/4"	110
PLPH-2410E	109 1/4	97 1/4	48 5/8	48 5/8	1/2"	1 1/8"	3/4"	130
PLPH-2810E	109 1/4	97 1/4	48 5/8	48 5/8	1/2"	1 1/8"	3/4"	133

External equalized expansion valve required. (1/4" dia. External equalizer tube provided)

SPECIFICATIONS

Model No.	BTU/HR 10° TD				CFM	12" Fan Quantity	ECM Motor Amps	Heaters		
	+20° F (SST)	-10° F (SST)	-20° F (SST)	-30° F (SST)				230V/1 Amps	230V/3 Amps	460V/1 Amps
PLPH-360E	4140	3744	3600	3240	700	1	0.3	3.9	2.3	2
PLPH-410E	4715	4264	4100	3690	700	1	0.3	3.9	2.3	2
PLPH-480E	5520	4992	4800	4320	650	1	0.3	3.9	2.3	2
PLPH-660E	7590	6864	6600	5940	1400	2	0.6	7.8	4.5	3.9
PLPH-760E	8740	7904	7600	6840	1400	2	0.6	7.8	4.5	3.9
PLPH-910E	10465	9464	9100	8190	1300	2	0.6	7.8	4.5	3.9
PLPH-1210E	13915	12584	12100	10890	2100	3	0.9	11.7	6.8	5.9
PLPH-1410E	16215	14664	14100	12690	1950	3	0.9	11.7	6.8	5.9
PLPH-1610E	18515	16744	16100	14490	2800	4	1.2	15.7	9	7.8
PLPH-1810E	20815	18824	18100	16290	2600	4	1.2	15.7	9	7.8
PLPH-2010E	23115	20904	20100	18090	3500	5	1.5	19.6	11.3	9.8
PLPH-2410E	27715	25064	24100	21690	4200	6	1.8	23.5	13.6	11.7
PLPH-2810E	32315	29224	28100	25290	3900	6	1.8	23.5	13.6	11.7

GENERAL SAFETY INFORMATION

- Only personnel qualified and familiar with this type of equipment should be responsible for the installation, service and maintenance of these units.
- Disconnect all power sources prior to installing, servicing, or maintaining these units.
- All field wiring must conform to equipment requirements and all applicable national, state and municipal codes.
- Reduce potential for injury by avoiding direct contact with sharp edges and coil surfaces when handling these units.

We reserve the right to make changes in design and construction at any time without notice.

7/16/2015 PP# 05064