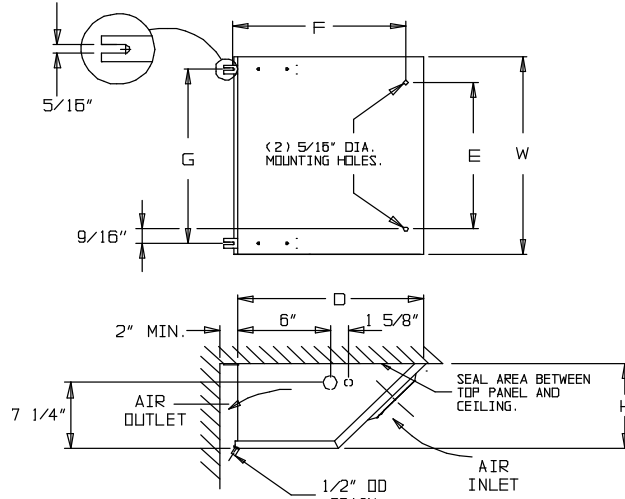




Peerless of America
Since 1912

EFFINGHAM, IL 62401
INSTALLATION INFORMATION, DIMENSIONS &
SPECIFICATIONS

**SLOPE FRONT (SF)
UNIT COOLER
MEDIUM TEMPERATURE
AIR DEFROST**



DIMENSIONS

Model No.	Dimensions (Inches)			Mounting Hole Locations (Inches)			Connections			Approx. Ship. Wt. Lbs.
	H	W	D	E	F	G	Inlet	Suction	Drain	
115 V										
SF-105	9	11 3/8	14	8 1/2	13 7/8	9 5/8	3/8" OD (top)	3/8" OD (Bottom)	1/2" OD	14
SF-135	9	14 3/8	14	11 1/2	13 7/8	12 5/8	3/8" OD (top)	3/8" OD (Bottom)	1/2" OD	16
SF-175	9	17 3/8	14	14 1/2	13 7/8	15 5/8	3/8" OD (top)	3/8" OD (Bottom)	1/2" OD	18
SF-235	9 7/8	20 3/8	15	17 1/2	14 7/8	18 5/8	3/8" OD (top)	3/8" OD (Bottom)	1/2" OD	22
SF-305	11	23 3/8	16	20 1/2	15 7/8	21 5/8	1/2" OD (top)	1/2" OD (Bottom)	1/2" OD	27

PEERLITE protective coated coils designated by a "-P" after model number.

SPECIFICATIONS

Models with a *A suffix after the model number employ ECM motors.

Model No.	BTU/HR		CFM	Fan Dia. (Quantity)	STD. Motor Amps		ECM Motor Amps	
	10° TD	15° TD			115 V	230 V	115 V	230 V
SF-105	1000	1500	300	8"	0.73	0.45	0.30	0.15
SF-135	1300	1950	300	8"	0.73	0.45	0.30	0.15
SF-175	1700	2550	300	8"	0.73	0.45	0.30	0.15
SF-235	2300	3450	300	8"	0.73	0.45	0.30	0.15
SF-305	3000	4500	500	10"	0.75	0.45	0.60	0.30

Standard 115/60/1 (230/60/1 optional)

GENERAL SAFETY INFORMATION

1. Only personnel qualified and familiar with this type of equipment should be responsible for the installation, service and maintenance of these units.
2. Disconnect all power sources prior to installing, servicing, or maintaining these units.
3. All field wiring must conform to equipment requirements and all applicable national, state and municipal codes.
4. Reduce potential for injury by avoiding direct contact with sharp edges and coil surfaces when handling these units.

We reserve the right to make changes in design and construction at any time without notice.

July-15
PP# 05103