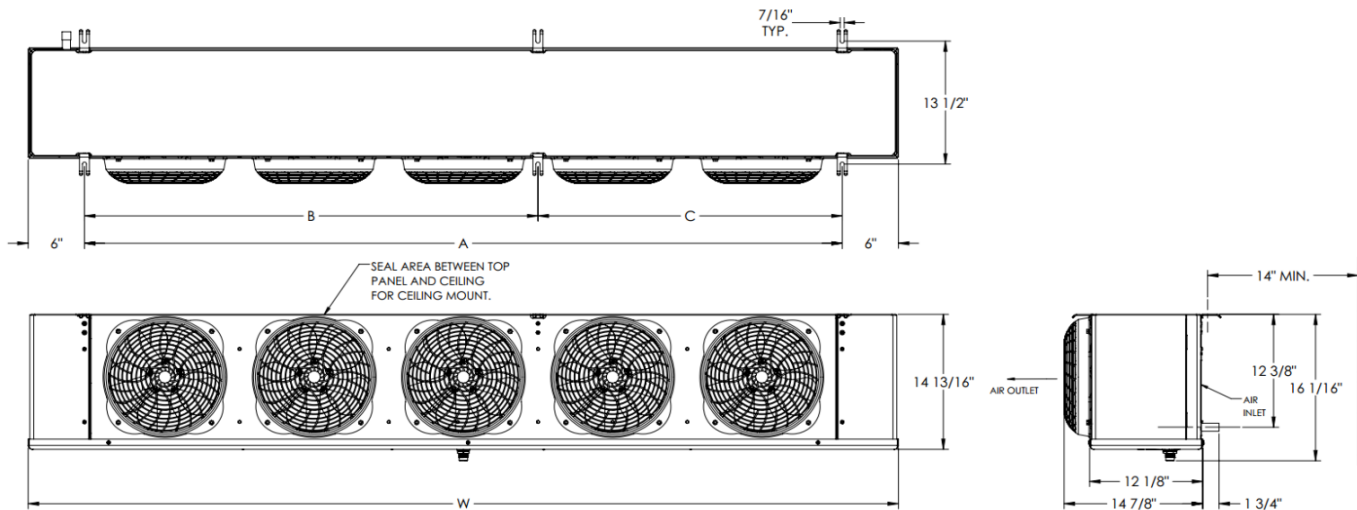




Peerless of America^{II}
Since 1912

EFFINGHAM, IL 62401
INSTALLATION INFORMATION, DIMENSIONS &
SPECIFICATIONS

LOW PROFILE (PLPH)
UNIT COOLER
MEDIUM TEMPERATURE
AIR DEFROST



DIMENSIONS

Model No.	Dimension	Mounting Hole Locations (Inches)			Connections			Approx.
	W	A	B	C	Inlet OD	Suction OD	Drain MPT	
PLPH-410A	29 1/4	17 1/4	-	-	1/2"	5/8"	3/4"	37
PLPH-530A	29 1/4	17 1/4	-	-	1/2"	5/8"	3/4"	40
PLPH-660A	29 1/4	17 1/4	-	-	1/2"	7/8"	3/4"	43
PLPH-710A	45 1/4	33 1/4	-	-	1/2"	7/8"	3/4"	54
PLPH-910A	45 1/4	33 1/4	-	-	1/2"	7/8"	3/4"	57
PLPH-1050A	45 1/4	33 1/4	-	-	1/2"	7/8"	3/4"	58
PLPH-1210A	45 1/4	33 1/4	-	-	1/2"	7/8"	3/4"	60
PLPH-1310A	45 1/4	33 1/4	-	-	1/2"	7/8"	3/4"	62
PLPH-1410A	61 1/4	49 1/4	-	-	1/2"	7/8"	3/4"	72
PLPH-1570A	61 1/4	49 1/4	-	-	1/2"	7/8"	3/4"	76
PLPH-1810A	61 1/4	49 1/4	-	-	1/2"	7/8"	3/4"	78
PLPH-2090A	77 1/4	65 1/4	-	-	1/2"	1 1/8"	3/4"	91
PLPH-2610A	93 1/4	81 1/4	48 5/8	32 5/8	1/2"	1 1/8"	3/4"	112
PLPH-3130A	109 5/16	97 1/4	48 5/8	48 5/8	1/2"	1 1/8"	3/4"	133
PLPH-3710A	109 5/16	97 1/4	48 5/8	48 5/8	1/2"	1 3/8"	3/4"	136

External equalized expansion valve required. (1/4" dia. External equalizer tube provided)

PEERLITE protective coated coils designated by a "-P" after model number.

SPECIFICATIONS

Model No.	BTU/HR		CFM	12" Fan Quantity	ECM Motor Amps	
	10° TD	12° TD			115 V	230 V
PLPH-410A	4100	4920	730	1	0.6	0.3
PLPH-530A	5300	6360	700	1	0.6	0.3
PLPH-660A	6600	7920	650	1	1.2	0.6
PLPH-710A	7100	8520	1460	2	1.2	0.6
PLPH-910A	9100	10920	1400	2	1.2	0.6
PLPH-1050A	10500	12600	1400	2	1.2	0.6
PLPH-1210A	12100	14520	1400	2	1.2	0.6
PLPH-1310A	13100	15720	1300	3	1.8	0.9
PLPH-1410A	14100	16920	2100	3	1.8	0.9
PLPH-1570A	15700	18840	2100	3	1.8	0.9
PLPH-1810A	18100	21720	1950	3	1.8	0.9
PLPH-2090A	20900	25080	2800	4	2.4	1.2
PLPH-2610A	26100	31320	3500	5	3	1.5
PLPH-3130A	31300	37560	4200	6	3.6	1.8
PLPH-3710A	37100	44520	3900	6	3.6	1.8

GENERAL SAFETY INFORMATION

1. Only personnel qualified and familiar with this type of equipment should be responsible for the installation, service and maintenance of these units.
2. Disconnect all power sources prior to installing, servicing, or maintaining these units.
3. All field wiring must conform to equipment requirements and all applicable national, state and municipal codes.
4. Reduce potential for injury by avoiding direct contact with sharp edges and coil surfaces when handling these units.

We reserve the right to make changes in design and construction at any time without notice.

5/16/2015

PP# 05063