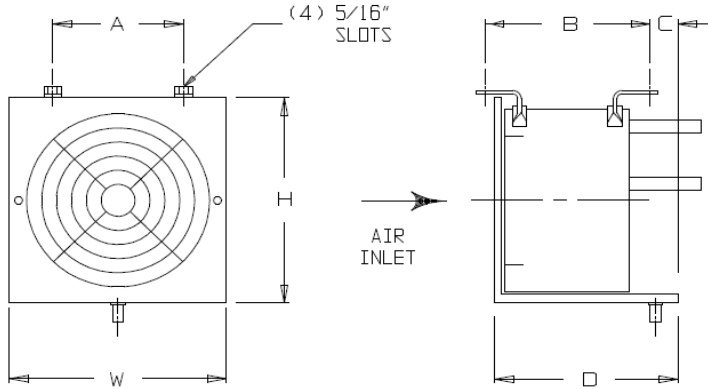




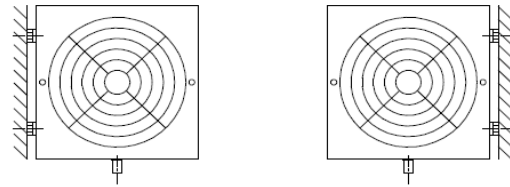
**Peerless of America**  
Since 1912

EFFINGHAM, IL 62401  
INSTALLATION INFORMATION, DIMENSIONS &  
SPECIFICATIONS

**DELUXE POWER PACK (P)  
UNIT COOLER  
MEDIUM TEMPERATURE  
AIR DEFROST**



In addition to ceiling mounting (left), this unit can be wall mounted (below) by relocating two "J" hooks holding the decorative shield and drain pan.



**DIMENSIONS**

Model No.	Dimensions (Inches)			Mounting Hole Locations			Connections			Approx. Ship. Wt. Lbs.
	H	W	D	A	B	C	Inlet	Suction	Drain	
P-82D	9 1/2	9 1/2	8 1/8	6 3/4	6 1/8	2 7/8	3/8" OD	3/8" OD	1/2" OD	9
P-83D	9 1/2	9 1/2	8 1/8	6 3/4	7 1/8	1 7/8	3/8" OD	3/8" OD	1/2" OD	10
P-103D	11 1/2	11 1/2	8 1/8	8 1/4	6 7/8	2	3/8" OD	3/8" OD	1/2" OD	13
P-104D	11 1/2	11 1/2	8 1/8	8 1/4	7 7/8	1	3/8" OD	3/8" OD	1/2" OD	15

PEERLITE protective coated coils designated by a "-P" after model number.

**SPECIFICATIONS**

Model No.	BTU/HR		CFM	Fan Dia.	Motor Amps	
	10° TD	15° TD			115 V	230 V
P-82D	850	1275	150	8"	0.73	0.45
P-83D	1100	1650	150	8"	0.73	0.45
P-103D	1350	2025	200	10"	0.73	0.45
P-104D	1600	2400	200	10"	0.73	0.45

Standard 115/60/1 (230/60/1 optional)

**GENERAL SAFETY INFORMATION**

1. Only personnel qualified and familiar with this type of equipment should be responsible for the installation, service and maintenance of these units.
2. Disconnect all power sources prior to installing, servicing, or maintaining these units.
3. All field wiring must conform to equipment requirements and all applicable national, state and municipal codes.
4. Reduce potential for injury by avoiding direct contact with sharp edges and coil surfaces when handling these units.

We reserve the right to make changes in design and construction at any time without notice.

July-15  
PP# 05105