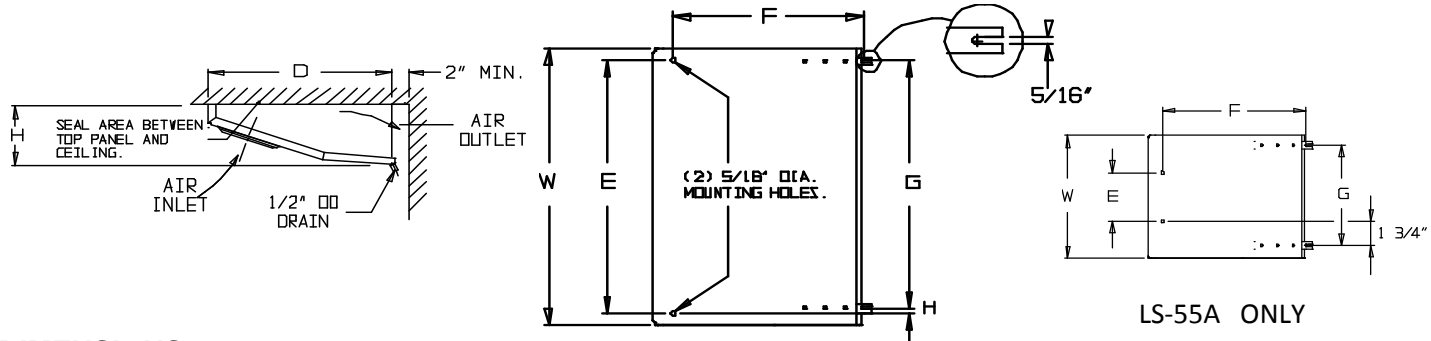




Peerless of America
Since 1912

EFFINGHAM, IL 62401
INSTALLATION INFORMATION, DIMENSIONS &
SPECIFICATIONS

**LO-SLOPE (LS)
UNIT COOLER
MEDIUM TEMPERATURE
AIR DEFROST**



DIMENSIONS

Model No.	Dimensions (Inches)			Mounting Hole Locations (Inches)				Connections		
	H	W	D	E	F	G	H	Inlet	Suction	Drain
LS-55A	5	10	14	4	12 7/8	7 3/4	N/A	3/8" OD	1/2" OD	1/2" OD
LS-105A	5	16 1/2	14	13 1/4	12 7/8	14 1/4	3/8	3/8" OD	1/2" OD	1/2" OD
LS-135A	5	20 1/2	14	17 1/4	12 7/8	18 1/4	3/8	3/8" OD	1/2" OD	1/2" OD
LS-190A	4 1/2	24	14 1/2	22 1/8	15	22 1/8	0	1/2" OD	1/2" OD	1/2" OD
LS-240A	6 5/8	24	16 1/2	22 1/8	16 3/4	22 1/8	0	1/2" OD	1/2" OD	1/2" OD
LS-320A	4 1/2	40	14 1/2	38 1/8	15	38 1/8	0	1/2" OD	1/2" OD	1/2" OD
LS-410A	4 1/2	53 3/8	14 1/2	51 1/2	15	51 1/2	0	1/2" OD	1/2" OD	1/2" OD

PEERLITE protective coated coils designated by a "-P" after model number.

SPECIFICATIONS

Models with a *A suffix after the model number employ ECM motors.

Model No.	BTU/HR		CFM	Fan Dia. (Quantity)	STD. Motor Amps		ECM Motor Amps		Approx. Ship. Wt. Lbs.
	10° TD	15° TD			115 V	230 V	115 V	230 V	
LS-55A	550	825	125	5 1/4"	0.65	0.35	N/A	N/A	9
LS-105A	1050	1575	125	5 1/4"	0.65	0.35	0.30	0.15	12
LS-135A	1350	2025	225	5 1/4" (2)	1.30	0.70	0.60	0.30	16
LS-190A	1700	2550	225	5 1/4" (2)	1.30	0.70	0.60	0.30	21
LS-240A	2400	3600	300	8	0.73	0.45	0.30	0.15	24
LS-320A	3000	4500	350	5 1/4" (3)	1.95	1.05	N/A	N/A	33
LS-410A	4300	6450	475	5 1/4" (4)	2.60	1.40	N/A	N/A	44

Standard 115/60/1 (230/60/1 optional)

GENERAL SAFETY INFORMATION

1. Only personnel qualified and familiar with this type of equipment should be responsible for the installation, service and maintenance of these units.
2. Disconnect all power sources prior to installing, servicing, or maintaining these units.
3. All field wiring must conform to equipment requirements and all applicable national, state and municipal codes.
4. Reduce potential for injury by avoiding direct contact with sharp edges and coil surfaces when handling these units.

We reserve the right to make changes in design and construction at any time without notice.

7/27/2015
PP# 05101