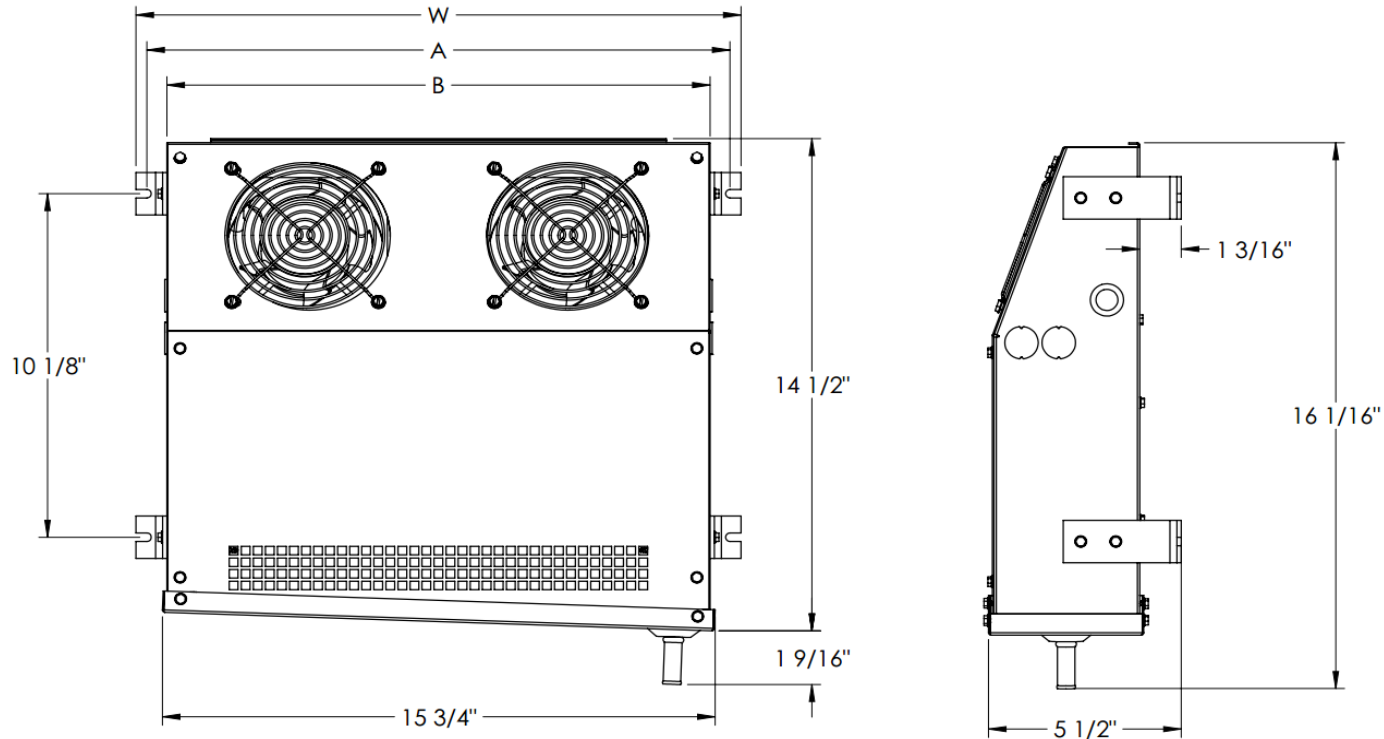




**Peerless of America**  
Since 1912

EFFINGHAM, IL 62401  
INSTALLATION INFORMATION, DIMENSIONS &  
SPECIFICATIONS

## MULLION BACK-WALL (MB) UNIT COOLER



### DIMENSIONS AND SPECIFICATIONS

Model No.	Dimensions (Inches)			5" Fans QTY	Motor Amps	Heater Amps	BTU/HR @ 10 Deg	BTU/HR @ 15 Deg	CFM	Connections			Approx. Ship. Wt. Lbs
	B	A	W							Inlet OD	Suction OD	Drain OD	
MB-50E	15.5	16.6	17.3	2	0.52	3	500	750	180	3/8"	3/8"	1/2"	13
MB-60	15.5	16.6	17.3	2	0.52	N/A	600	900	180	3/8"	3/8"	1/2"	12
MB-100E	18	19.1	19.8	2	0.52	2.7	1000	1500	180	3/8"	3/8"	1/2"	17
MB-110	18	19.1	19.8	2	0.52	N/A	1100	1650	180	3/8"	3/8"	1/2"	16
MB-150E	24.5	25.6	26.3	2	0.52	3	1500	2250	180	3/8"	3/8"	1/2"	18
MB-160	24.5	25.6	26.3	2	0.52	N/A	1600	2400	180	3/8"	3/8"	1/2"	17

PEERLITE protective coated coils designated by a "-P" after model number.  
Standard 115/60/1 (230/60/1 optional)

### GENERAL INFORMATION

#### INSTALLATION & MOUNTING

The air-flow through the MB unit is drawn up through the bottom and discharged out the top of the unit. The air-flow can be reversed by flipping the fans over and drawing air in at the top and discharging the air out the bottom of the unit.

Wall mounting of the unit can be accomplished using the brackets and screws provided with the unit. For mounting to the mullion, the customer must fabricate brackets that can utilize the mounting holes on the sides of the unit.

An air diverter is supplied to divert the discharged air from the MU unit. The diverter has extra holes to position it at an angle. This diverter can also be used to block small foreign objects from falling through the fan grille and into the fan blades. .

#### GENERAL SAFETY INFORMATION

1. Only personnel qualified and familiar with this type of equipment should be responsible for the installation, service and maintenance of these units.
2. Disconnect all power sources prior to installing, servicing, or maintaining these units.
3. All field wiring must conform to equipment requirements and all applicable national, state and municipal codes.
4. Reduce potential for injury by avoiding direct contact with sharp edges and coil surfaces when handling these units.

We reserve the right to make changes in design and construction at any time without notice.

July-15  
PP# 05069